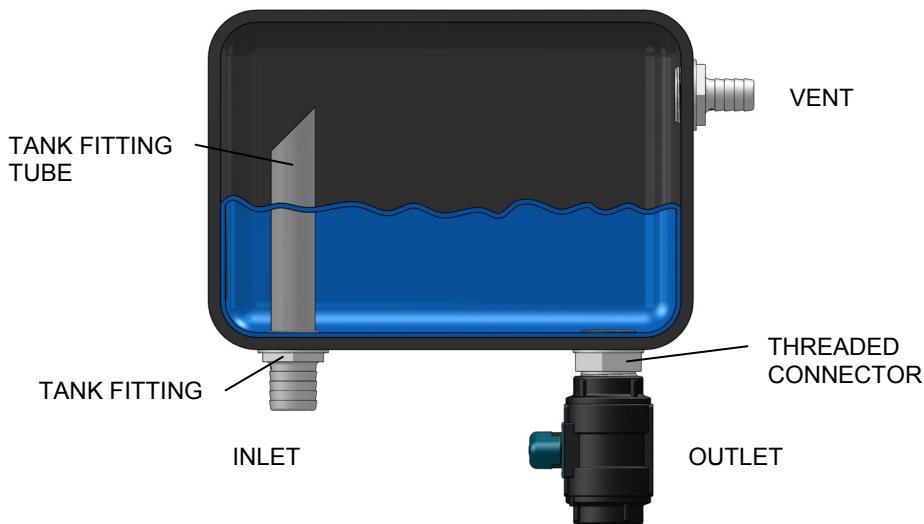


TANK FITTINGS

Designed and made in New Zealand, Tru-Design Tank fittings can be utilized to create a simple holding tank design for retro-fitting to older vessels. This may be an easier solution than installing under floor holding tanks and associated pumps and plumbing.

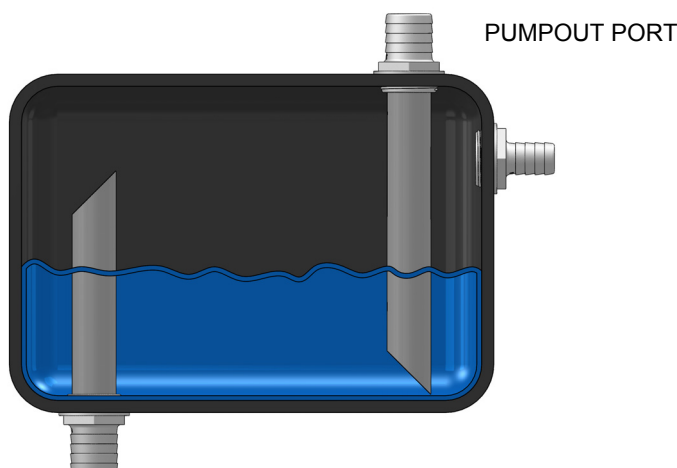
With many holding tanks supplied with 1½" BSP threaded connections, the range of Tank Fittings have been designed for easy and versatile plumbing.



Tru- Design Tank Fittings are customized versions of our standard components. When combined with the Tank Fitting Tube they extend the range of plumbing options available.

The Tank Fitting Tube clips into the fitting acting as a simple one way valve in the above application. The tank is designed to sit above water-level, at a similar level to the toilet. When the Outlet valve is closed the holding tank fills on each toilet flush, but doesn't flow back into the toilet. When open the waste can exit via a Skin Fitting to overboard without the need for a pump.

The Tank Fitting Tube can also be utilised for pumpout situations, accessing the contents from the top of the tank. The angled end of the Tank Fitting Tube can be cut to suit different sized holding tanks.

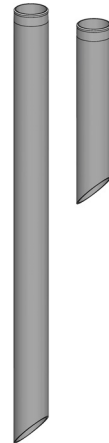


MODELS

TANK FITTING TUBE

The Tank Fitting Tube is used as an overflow check valve or tank pickup. The angled end can be cut to length if required.

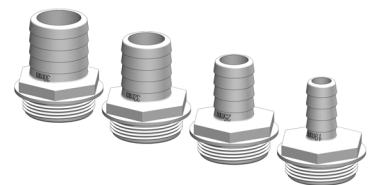
Part #	Description
90504	Tank Fitting Tube 205mm
90587	Tank Fitting Tube 205mm PKG
90503	Tank Fitting Tube 490mm
90588	Tank Fitting Tube 490mm PKG



TANK FITTING

Straight Tank Fittings suited to standard sizes of tubing. Tank Fittings have an internal groove to accept the Tank Fitting Tube.

Part #	Description
90507	Tank Fitting 19mm 1½" BSP White
90589	Tank Fitting 19mm 1½" BSP White PKG
90506	Tank Fitting 25mm 1½" BSP White
90590	Tank Fitting 25mm 1½" BSP White PKG
90519	Tank Fitting 32mm 1½" BSP White
90591	Tank Fitting 32mm 1½" BSP White PKG
90505	Tank Fitting 38mm 1½" BSP White
90592	Tank Fitting 38mm 1½" BSP White PKG

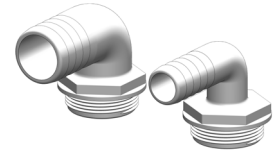


* PKG denotes product is packaged in a plastic bag with header card. Other product is packaged loose.

90° TANK FITTINGS

Tank Fittings have an internal groove to accept the Tank Fitting Tube.

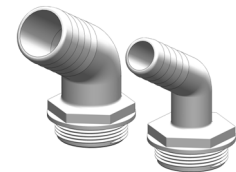
90498	Tank Fitting 90° 25mm 1½" BSP White
90593	Tank Fitting 90° 25mm 1½" BSP White PKG
90497	Tank Fitting 90° 38mm 1½" BSP White
90594	Tank Fitting 90° 38mm 1½" BSP White PKG



120° TANK FITTINGS

Tank Fittings have an internal groove to accept the Tank Fitting Tube.

Part #	Description
90500	Tank Fitting 120° 25mm 1½" BSP White
90595	Tank Fitting 120° 25mm 1½" BSP White PKG
90499	Tank Fitting 120° 38mm 1½" BSP White
90596	Tank Fitting 120° 38mm 1½" BSP White PKG



TANK ADAPTER PLUG

The Tank Adapter Plug is used to create custom connections. The top of the plug can be drilled and tapped to fit other connection types. Tank Fittings have an internal groove to accept the Tank Fitting Tube.

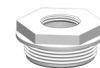
Part #	Description
90501	Tank Adapter Plug 1½" BSP White
90598	Tank Adapter Plug 1½" BSP White PKG



THREADED VENT PLUG

The Threaded Vent Plug is used for tank ventilation. The ¾" thread allows connection to tails or elbows for tank venting.

Part #	Description
90502	Threaded Vent Plug ¾" BSP 1½" BSP White
90597	Threaded Vent Plug ¾" BSP 1½" BSP White PKG



THREADED CONNECTOR

The threaded connector can be used to connect directly to a 1½" BSP fitting. This could be a Ball Valve, Aquavalve or rigid PVC Piping.

Part #	Description
90461	Connector Threaded 1½" / 1½" BSP
90546	Connector Threaded 1½" / 1½" BSP PKG



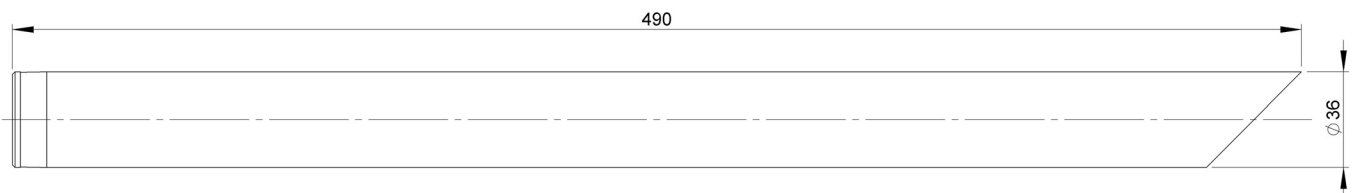
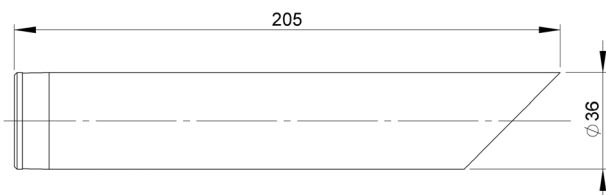
KEY FEATURES

Feature :	
Manufactured from a glass reinforced nylon composite	High strength and light weight. *Tank Fitting Tube is ABS
Long tail feature	The use of 2 hose clamps is recommended for secure hose fitting.
Immune to corrosion and electrolysis	Long life with no concerns over decreased performance due to corrosion.
Chemical resistant	Impervious to diesel, petrol and antifouling paints.
UV resistant	These fittings will not break down with ultraviolet light or discolour from the sun.
High quality surface finish	Will not discolour with green film as similar bronze fittings do.
Separate sealing component	Secure reliable sealing for critical sanitary applications.
Large operating temperature range	Suitable for all marine environments, from -40°C to +110°C.

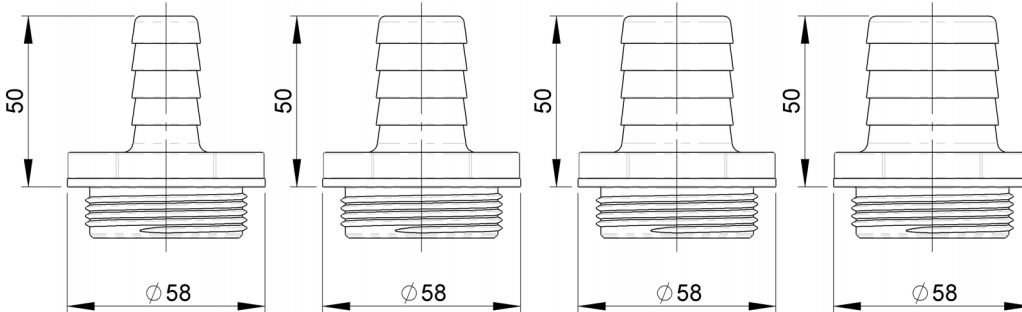
DIMENSIONS

All dimensions in mm.
All dimensions nominal.

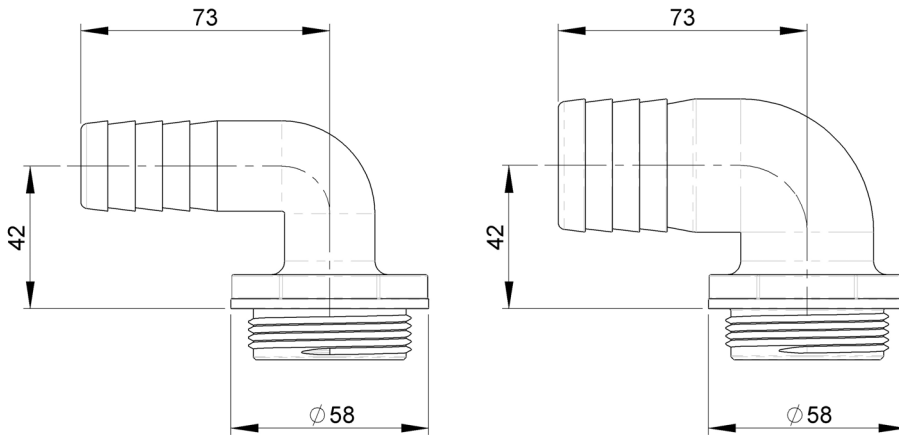
TANK FITTING TUBE



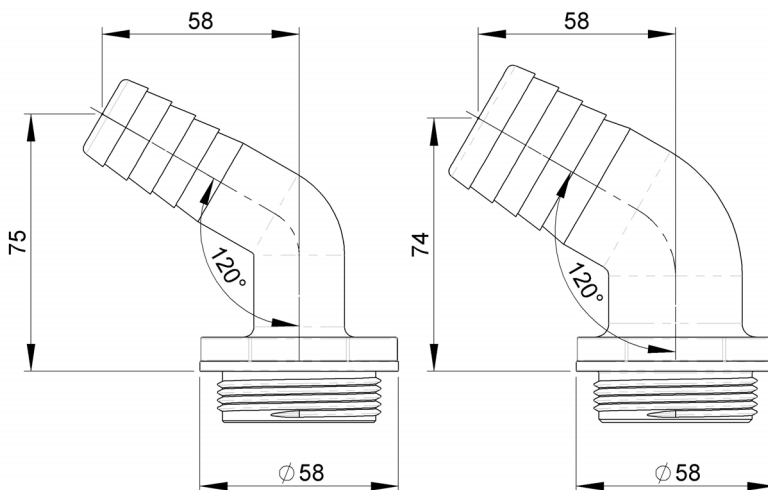
TANK FITTINGS



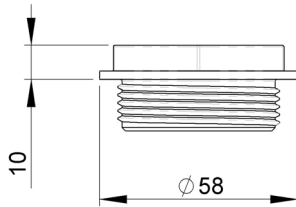
90° TANK FITTINGS



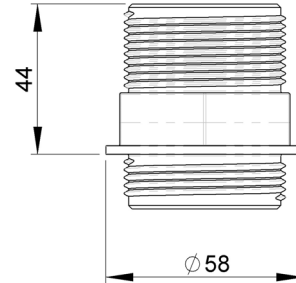
120° TANK FITTINGS



**TANK ADAPTER PLUG /
THREADED VENT PLUG**



THREADED CONNECTOR



INSTALLATION

Ensure the tank port that the Tank Fitting is to fit into has clean and undamaged threads.

Wind 8-12 turns of thread tape onto the thread (clockwise when looking at bottom of thread).

Wind Tank Fitting into the tank port taking care not to cross thread. Wind the thread fully home using a large crescent or open ended spanner. Tighten to a maximum of 16Nm (12ft/lbs).

Fit the hose using hot water to soften.

Apply twin hose clamps for a secure connection.

The Tank Fitting Tube is clipped in place. Although the clip feature provides some sealing function it is recommended that the joint is sealed with silicone sealing compound. This is especially important when using as a tank pumpout pickup.

The Tank Fitting Tube can be cut to length. Cut a new angle on the end of the tube using a hacksaw or other appropriate saw.

SERVICING

As composite Tank Fittings are immune to corrosion, minimal servicing is required.

Tank Fittings should be checked for secure fitting into tank ports at regular intervals. Hose clamps should be checked regularly.

If Tank Fittings are removed, the old thread tape should be removed and replaced.

Tru-Design Plastics Ltd. accepts no responsibility for Products which are improperly installed or tampered with. Although the information presented in this product information sheet is believed to be accurate and reliable, no responsibility for inaccuracies can be assumed by Tru-Design Plastics Ltd. This performance data is typical only and variations due to component manufacturing tolerances are normal. Tru-Design Plastics Ltd. reserves the right at any time to change performance characteristics or specifications without prior notice.
Tru-Design Plastics Ltd, all rights reserved.