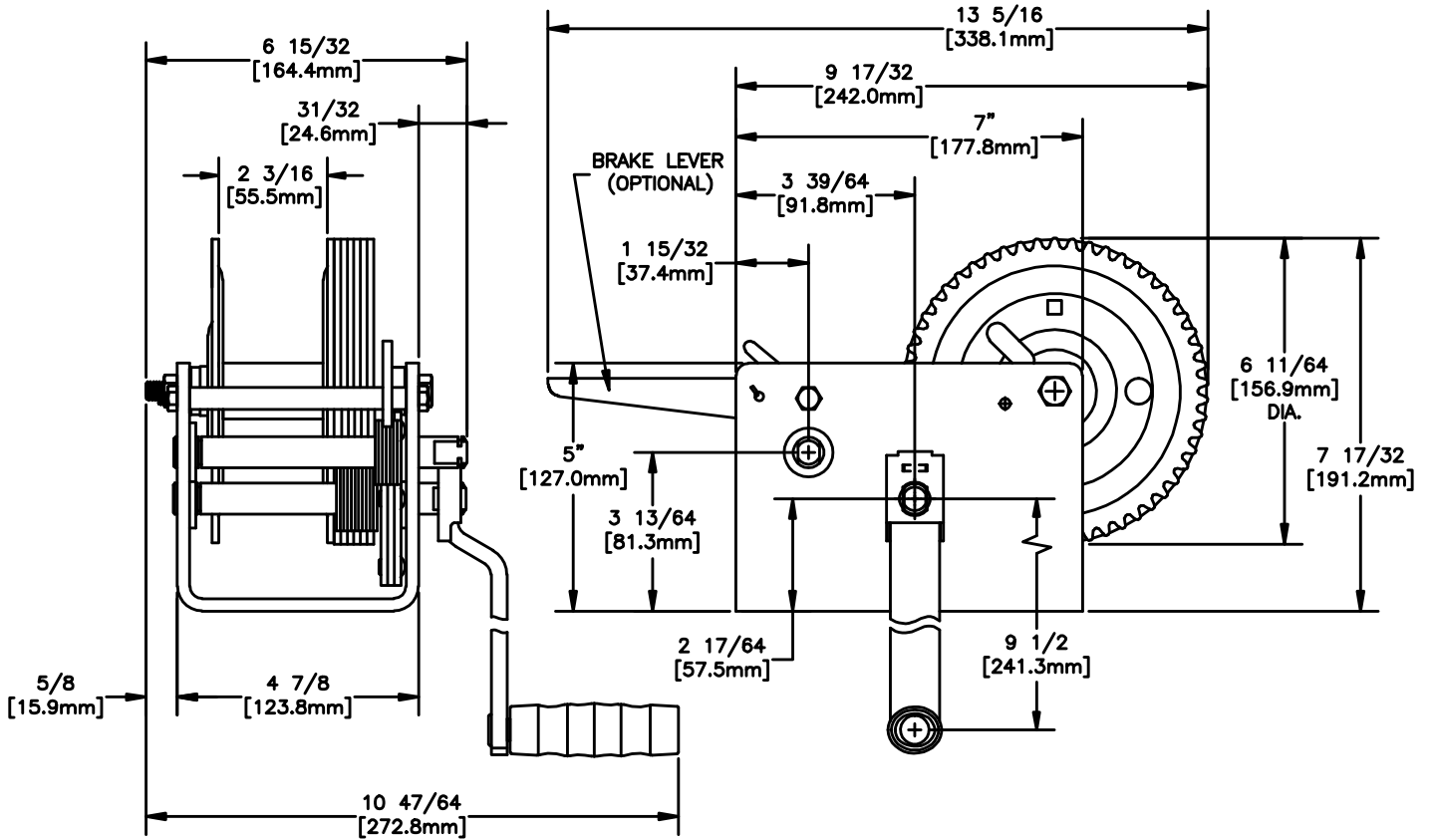


FRONT & SIDE VIEW

MODEL DL3200A  
 3200lb/1452kg CAPACITY  
 PULLING WINCH



BASE HOLE PATTERN

