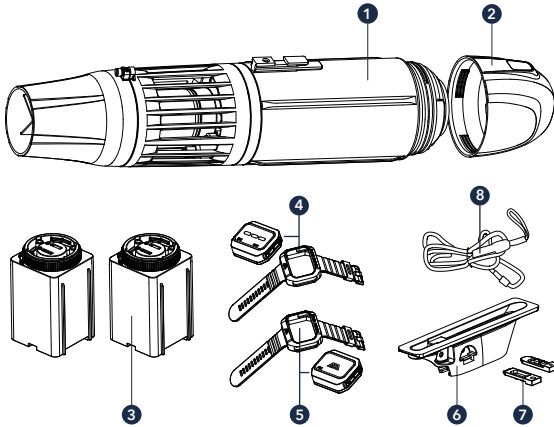


V. USING THE BLUEDRIVE X / X PRO ON SUP OR KAYAK

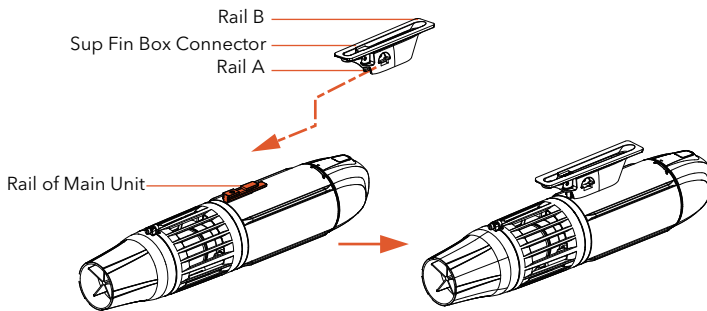
5.1 Contents of BLUEDRIVE X / X PRO used on SUP or Kayak



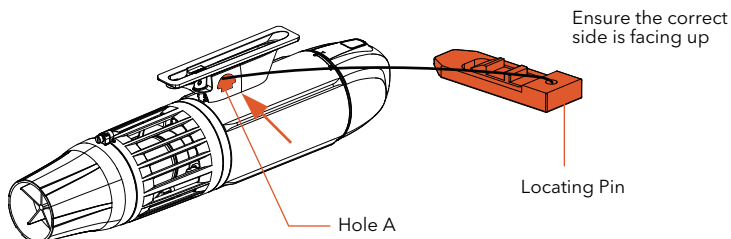
1	Main unit x 1
2	Headlamp x 1
3	Battery (PF-240X x 1, PF-240XP x 2)
4	Remote control x 1, Watch strap x 1
5	Repeater x 1, Watch strap x 1
6	Fin box connector x 1
7	Locating pins x 2
8	Safety Leash x 1

5.2 Assembling the BLUEDRIVE X / X PRO to SUP or kayak

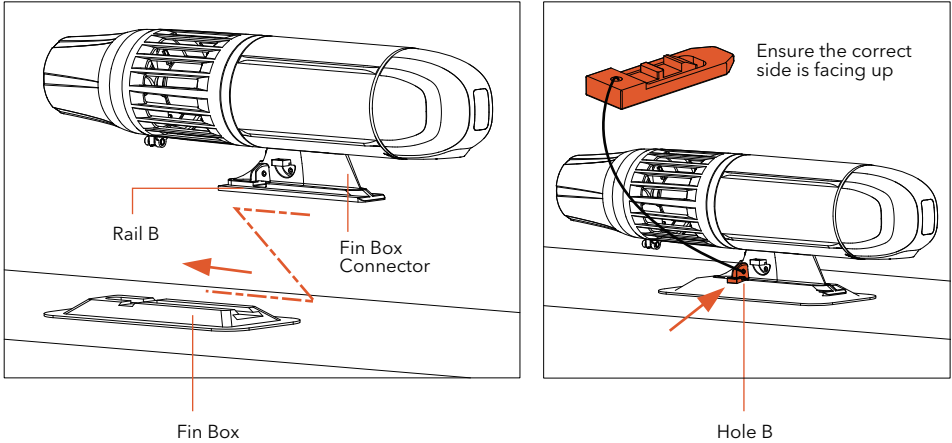
Step 1: Align the rail A of the fin box connector with the auxiliary rail of the main unit, and slide the connector onto the main unit along the rail.



Step 2: Take one locating pin, align with hole A, and insert for locking.



Step 3: Align the fin box connector rail B with the fin box on SUP/KAYAK (not provided), slide the connector onto the fin box along the rail, and then insert the locating pin to hole B for locking.



Note:

If your SUP fin box has a "Swift Attach Fin System (SAFS)", install the fin box adaptor (*sold separately) as follows: Install the SUP fin box connector onto the adaptor by sliding it into adaptor rail C, and then insert the locating pin to hole B for locking.

