

Thank you for purchasing a Shakespeare antenna product. Customer comments are welcome. Before installing, please study the diagram and check parts supplied against those listed.

IMPORTANT! Please read all instructions before installing.

The Style 495 Fold-Down Polycarbonate Mount is a versatile, Lift-n-Lay antenna mount suitable for a variety of applications. It can be used for mounting to vertical or horizontal surfaces. Use the leveling plate (supplied) to compensate for surface slant.

Tools required: Screwdriver, wrench or pliers, drill and 1/4" drill bit.

Installation Instructions

Choose a mounting location that is as high as possible, as free as possible from obstructions, and as far as possible from other antennas and strong sources of RF.

1. Using the mount as a template, mark the location for the three mounting screws.
2. Drill mounting holes. When drilling fiberglass use a backup block of scrap wood (not supplied), if possible, to control push-through splintering.
3. If mounting to a slanted surface, use the leveling plate. If not needed, discard it. If you wish, use the included gasket to seal the installation.
4. Thread your antenna (sold separately) onto the mount and attach the mount to the surface using the supplied machine screws, nuts, washers, and lockwashers. For attachment to some types of surfaces you might need to substitute wood screws or other appropriate fasteners (not supplied). Be sure to use only stainless steel hardware.

Raise/Lower I nstructions

The antenna may be raised or lowered easily. To lower the antenna, lift the antenna out of its socket in the mount's base fitting. Fold the antenna down, and slide it back until it snaps and locks in place. To raise the antenna, follow the above procedure in reverse order. If the antenna fails to slide freely in the mount, apply some petroleum jelly.

Note: Separate parts of the mount are not available.

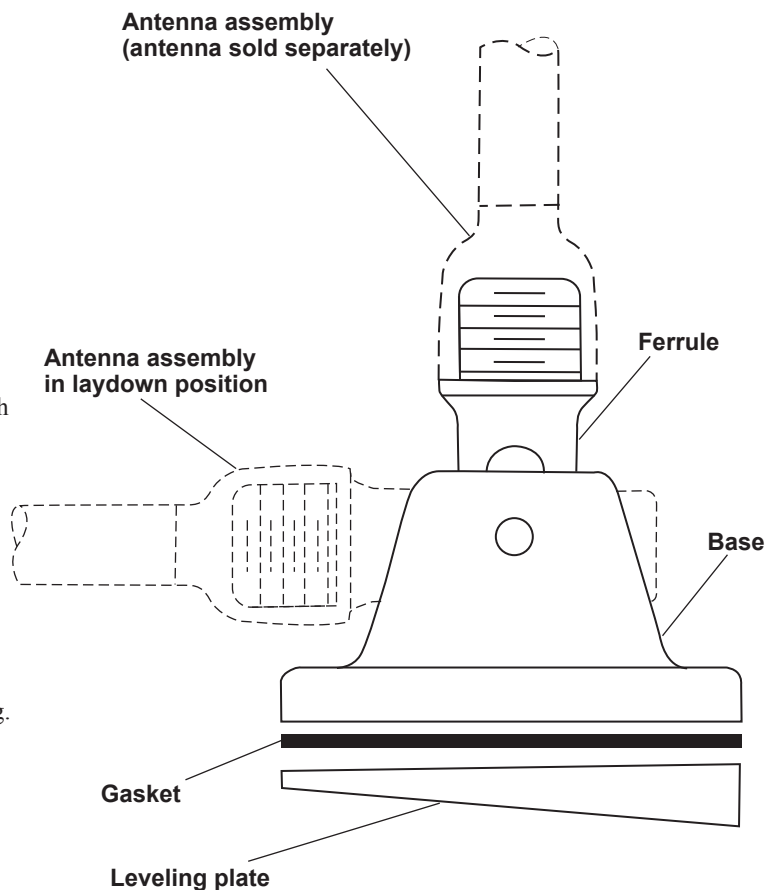
Supplied Parts

- 1 Lift-n-Lay mount
- 1 Leveling plate
- 3 Washers
- 3 Lockwashers
- 3 Machine screws
- 3 Nuts
- 1 Gasket

Cleaning Instructions

To clean the mount, use mild dishwashing liquid (one that is not harsh to the hands and *without* ammonia) in lukewarm water.

WARNING: Do not let paint solvents, cleaning solvents, or adhesive caulking come in contact with the mount. Chemicals in these materials might destroy the finish.



35-90-0144-00

Shakespeare Electronic Products Group

U.S. Operations: 6111 Shakespeare Rd. · Columbia, SC 29223 · 803-227-1590 · Fax: 803-419-3099 · www.shakespeare-marine.com
 U.K. Operations: Enterprise Way, Fleetwood, Lancashire, FY7 8RY, England · +44 (0) 1253 858787 · Fax: +44 (0) 1253-859595 · www.vtronix-antennas.com